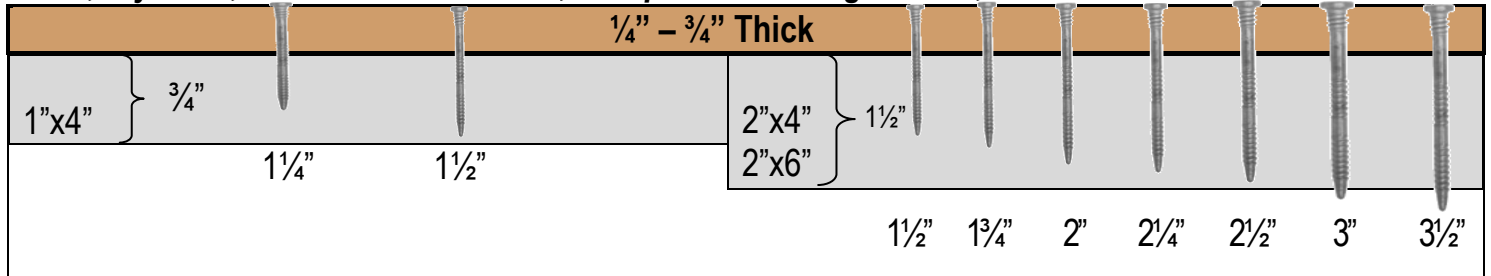
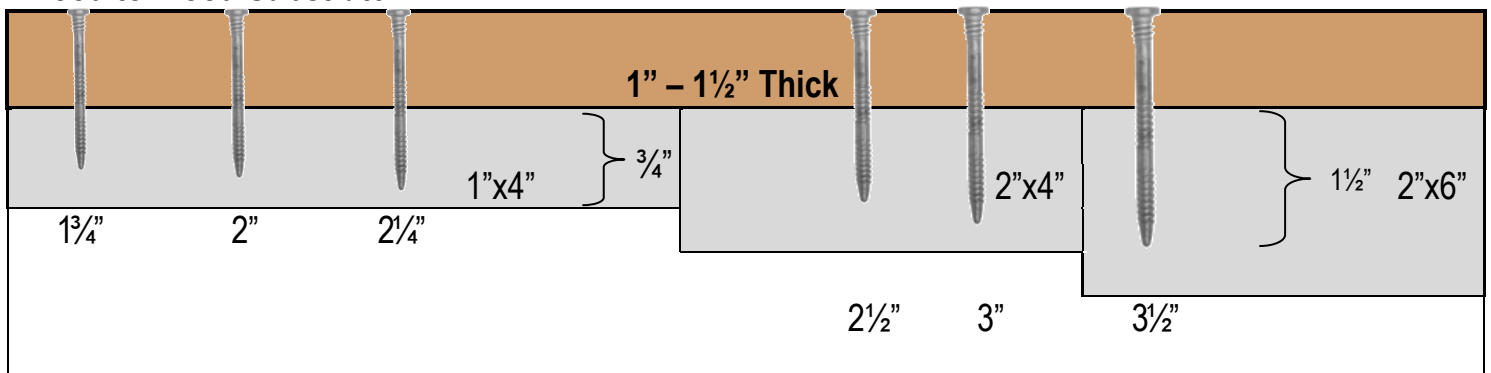


## Fastener Length Chart

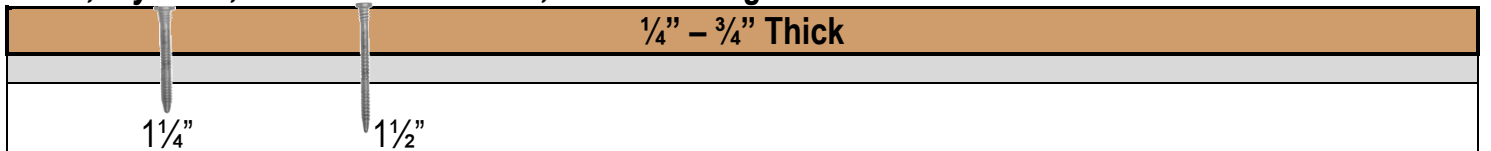
### OSB, Plywood, Fiber-Cement Boards, Composite Decking Boards, etc. to Wood Substrate



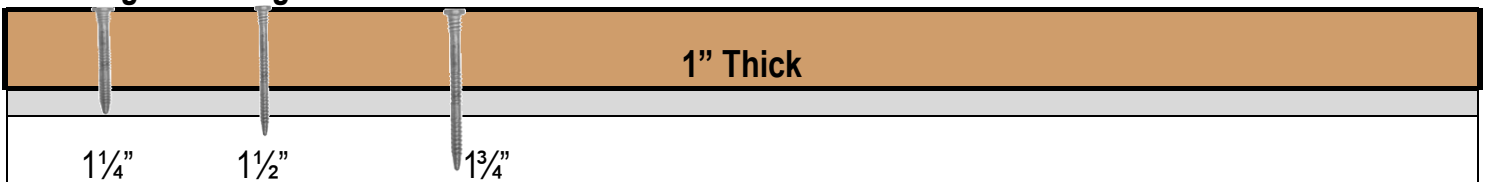
### Wood to Wood Substrate



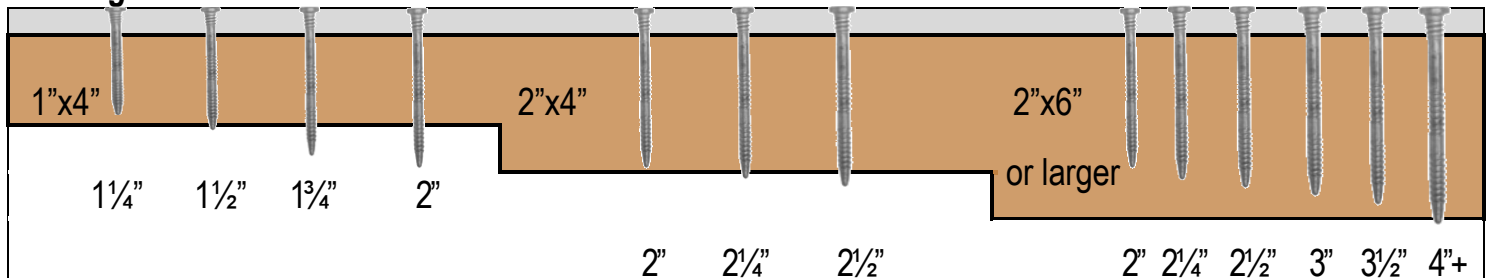
### OSB, Plywood, Fiber-Cement Board, etc. to 12-16 ga Metal Substrate



### Decking to 12-16 ga Metal Substrate



### 12-16 ga Metal to Wood Substrate



See pages 78-79 for compatible nailers.